



ISOTTO EVO

The La Nordica Isotta Evo is a traditional cast iron wood burning stove which features front and side loading doors and a very large ceramic window which allows a great view of the flickering flames. The Isotto Evo has a nominal power output of 10.4kW and a maximum peak output of 12.9kW that meets the latest "benchmark" German certification standards as well as Australian standards.

Dimensions

Overall

Width	790mm
Height	775mm
Depth	660mm
Weight	205kg

Firebox Opening

Width	591mm
Height	305mm

Firebox Internal Dimensions

Width	597mm
Height	360mm
Depth	290mm

Flue Specifications

Diameter, adapter inc.	150mm
Centre of flue to rear of fire	155mm

Special Features

- Nominal output 10.4kW, maximum peak output 12.9kW
- Stove completely of cast-iron
- Front and side loading door
- Very high thermic yield cast-iron
- Hearth in cast iron with post combustion system.
- Ceramic glass resistant up to 750° C
- Particle emissions: 0.6g/kg
- Efficiency: 60% (AS/NZS4012/4013), 82% (EUROPEAN)*
- Wood consumption: 2.7kg/hr @ medium burn rate





Clearances

Combustible Rear Wall

Side Clearance	875mm
Rear Clearance	825mm
With Standard Heat Shield	300mm to shield

Front Hearth	550mm
Min. Hearth Width	1160mm
Right Side Hearth	300mm

Combustible Corner Wall

Corner Clearance	675mm
------------------	-------

To achieve stated clearances, one 900mm length of heat shield must be fitted to the flue above the fire in accordance to AS/NZS 2918:2018 to achieve clearances to heat sensitive materials. This can include half-moon shields or deco-mesh approved kits.

Certification

- AS/NZS 4012/4013 (2014) (Australia)
- 15a B-VG (Austria)
- BlmSchV (Germany)
- Flamme VERTE Le Label du chauffage au bois (France)
- Certificazione aria PULITA 4 Stars, AE5-P-007 (Italy)
- D.M. 186/2017 4 Stars
- VKF AEA1 (Switzerland)

***IMPORTANT NOTE:** According to the AS/NZS 4012/4013 efficiency, 9 logs (10.2Kg) were used for testing. The manufacturers recommendation is 4 logs (4-5Kg) which will result in higher efficiency and less wood used while achieving same heat output.

CGC Clean Glass Control

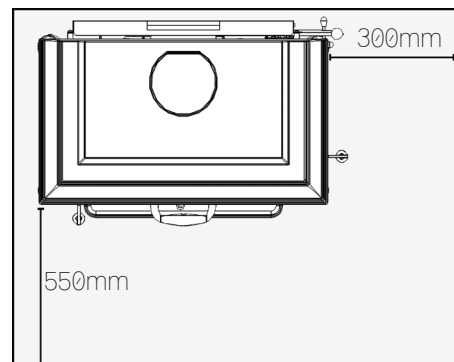
A System to preheated air which removes any deposits from forming on the hearth door glass.

PCS Post Combustion System

The combustion system developed by La Nordica allows, due to a secondary/tertiary air system, a post combustion which significantly reduces emissions.

RDT Resistant Door at the Time

La Nordica-Extraflame appliances doors are manufactured in high quality cast iron.



HEARTH WIDTH: Due to the side opening door on the Isotto Evo there must be a minimum of 300mm hearth clearance to the right of the fireplace.

